

E24 Wiring Diagram

File Name: E24 Input Wiring Diagram

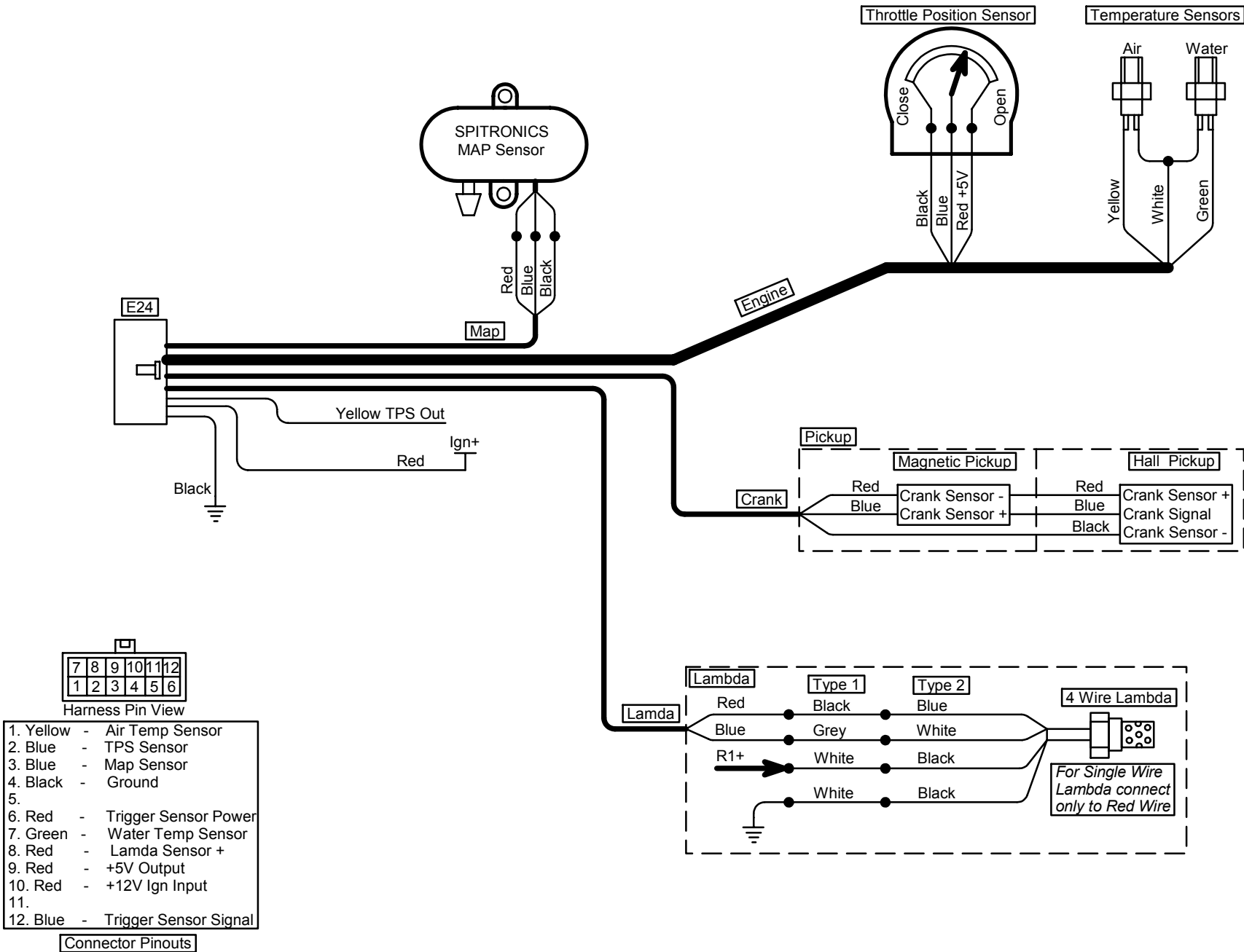
Last Changed: 02/12/2015



SPITRONICS™

ENGINE MANAGEMENT SYSTEMS

WWW.SPITRONICS.COM



7	8	9	10	11	12
1	2	3	4	5	6

Harness Pin View

- 1. Yellow - Air Temp Sensor
- 2. Blue - TPS Sensor
- 3. Blue - Map Sensor
- 4. Black - Ground
- 5.
- 6. Red - Trigger Sensor Power
- 7. Green - Water Temp Sensor
- 8. Red - Lambda Sensor +
- 9. Red - +5V Output
- 10. Red - +12V Ign Input
- 11.
- 12. Blue - Trigger Sensor Signal

Connector Pinouts