

E21 4Cyl 2Inj 4Coil



SPITRONICS™

ENGINE MANAGEMENT SYSTEMS

WWW.SPITRONICS.COM

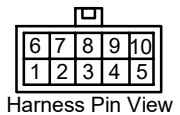
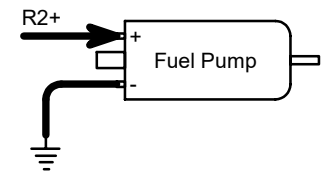
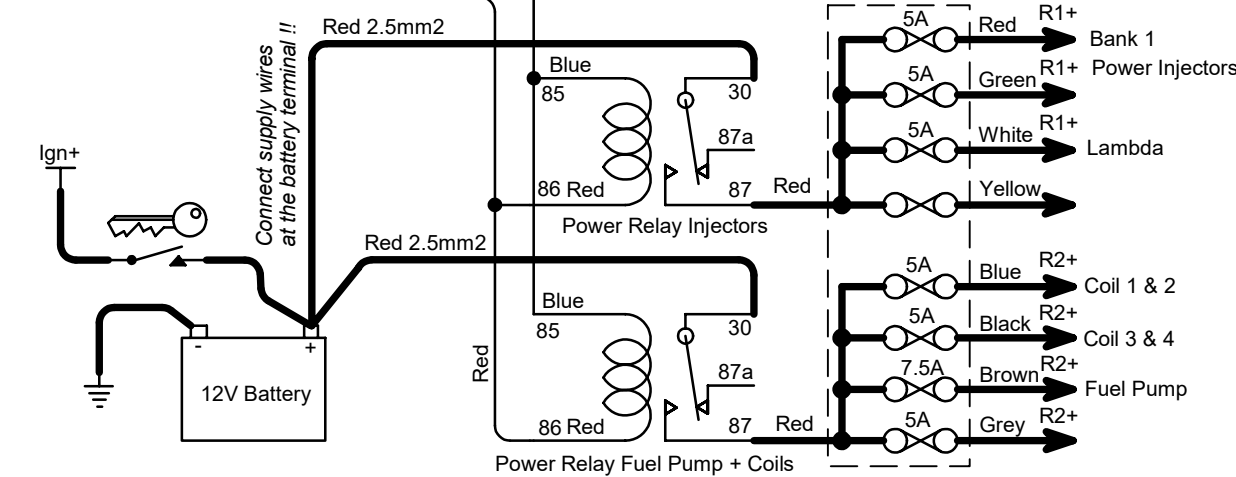
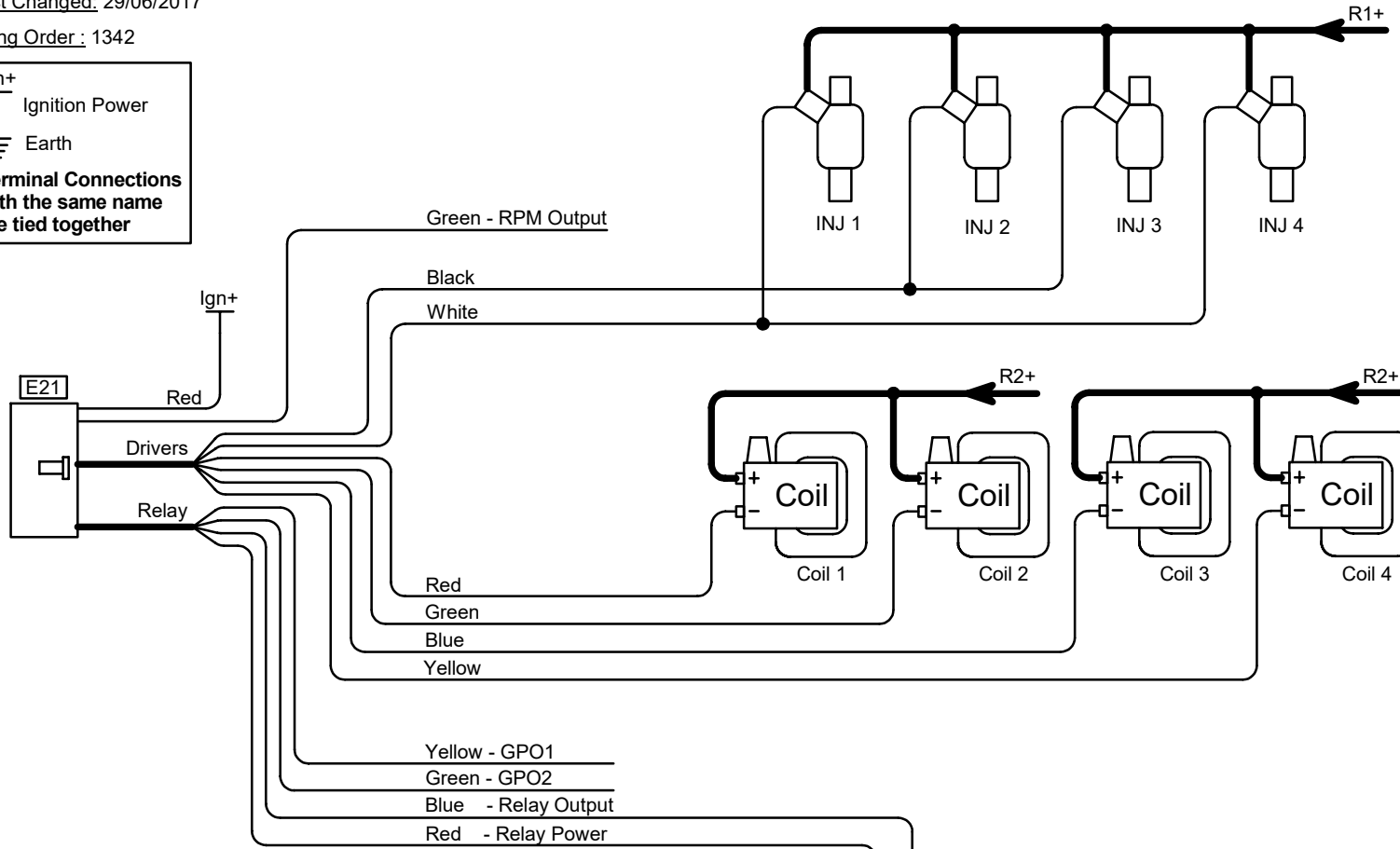
File Name: E21 Drawing

Last Changed: 29/06/2017

Firing Order : 1342

Ign+
 Ignition Power
 Earth

Terminal Connections with the same name are tied together



- 1. Blue - Injector Driver 5 / Coil Driver 2
- 2. Green - Injector Driver 3 / Coil Driver 4
- 3. White - Intecor Driver 1
- 4. Blue - Fuel Relay Output
- 5. Yellow - GP Output 1
- 6. Red - Coil Driver 1
- 7. Yellow - Injector Driver 4 / Coil Driver 3
- 8. Black - Intecor Driver 2 / Coil Driver 5
- 9. Green - RPM Output
- 10. Green - GP Output 2

Connector Pinouts